

**FABRIC CARE SOLUTION**

---

# PLANNING GUIDE

---

WH1160H1 | WH1160HG1 | DH9060H1 | DH9060HG1 | DH9060HL1 |  
DH9060HLG1 | FC1260H1 | FC1260HG1

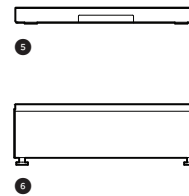
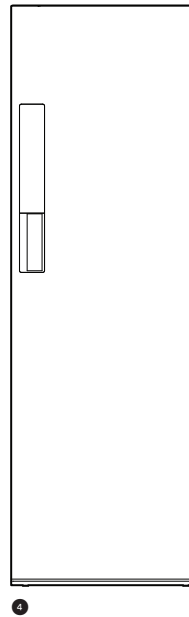
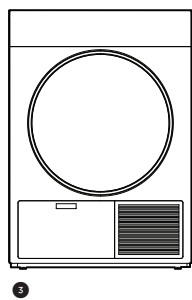
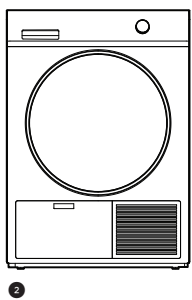
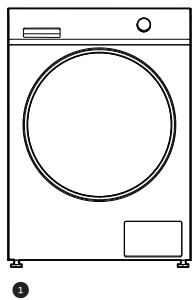
**FISHER & PAYKEL**

This comprehensive planning guide provides you with the framework and tools to achieve your desired design outcome with Fisher & Paykel appliances. In this guide, you will find a range of conceptual, detailed, and dimensional product information to bring your ideas to life and create spaces that truly reflect your vision.

**CONTENTS**

CONCEPT DESIGN	PAGE	DEVELOPED AND DETAILED DESIGN ⓘ	PAGE	DEVELOPED AND DETAILED DESIGN	PAGE
Design choices	<b>4 - 5</b>	<b>Data Sheets</b>		<b>Door Opening &amp; Door Swing</b>	<b>33-34</b>
Specification Guide	<b>7- 12</b>	Washing Machine	<b>14</b>	<b>Service</b>	
		Heat Pump Dryer - Display	<b>15</b>	Washing Machine	<b>36</b>
		Heat Pump Dryer - Display-free	<b>16</b>	Heat Pump Dryer	<b>37</b>
		Fabric Care Cabinet	<b>17</b>	Fabric Care Cabinet	<b>38</b>
		Storage Plinth	<b>18</b>		
		<b>Gap Considerations</b>	<b>20</b>		
		<b>Flush &amp; Proud Installation</b>	<b>22</b>		
		<b>Multiple Installation</b>	<b>24-25</b>		
		Stacked	<b>26</b>		
		Stacked with Plinth	<b>27</b>		
		Side by side with Fabric Care Cabinet	<b>28</b>		
		Side by side with Plinths Fabric Care Cabinet	<b>29</b>		
		Stacked with Plinth and Fabric Care Cabinet	<b>30</b>		
		Stacked with Plinth and 2x Fabric Care Cabinet	<b>31</b>		

## DESIGN CHOICES



---

## PRODUCT OVERVIEW

---

❶ **WH1160HG1 (Graphite), WH1160H1 (White)**  
Front Loader Washing Machine, 11kg, ActiveIntelligence™, Steam Care

❷ **DH9060HG1 (Graphite), DH9060H1 (White)**  
With Display  
Heat Pump Dryer, 9kg, Steam Care, Reversible Door

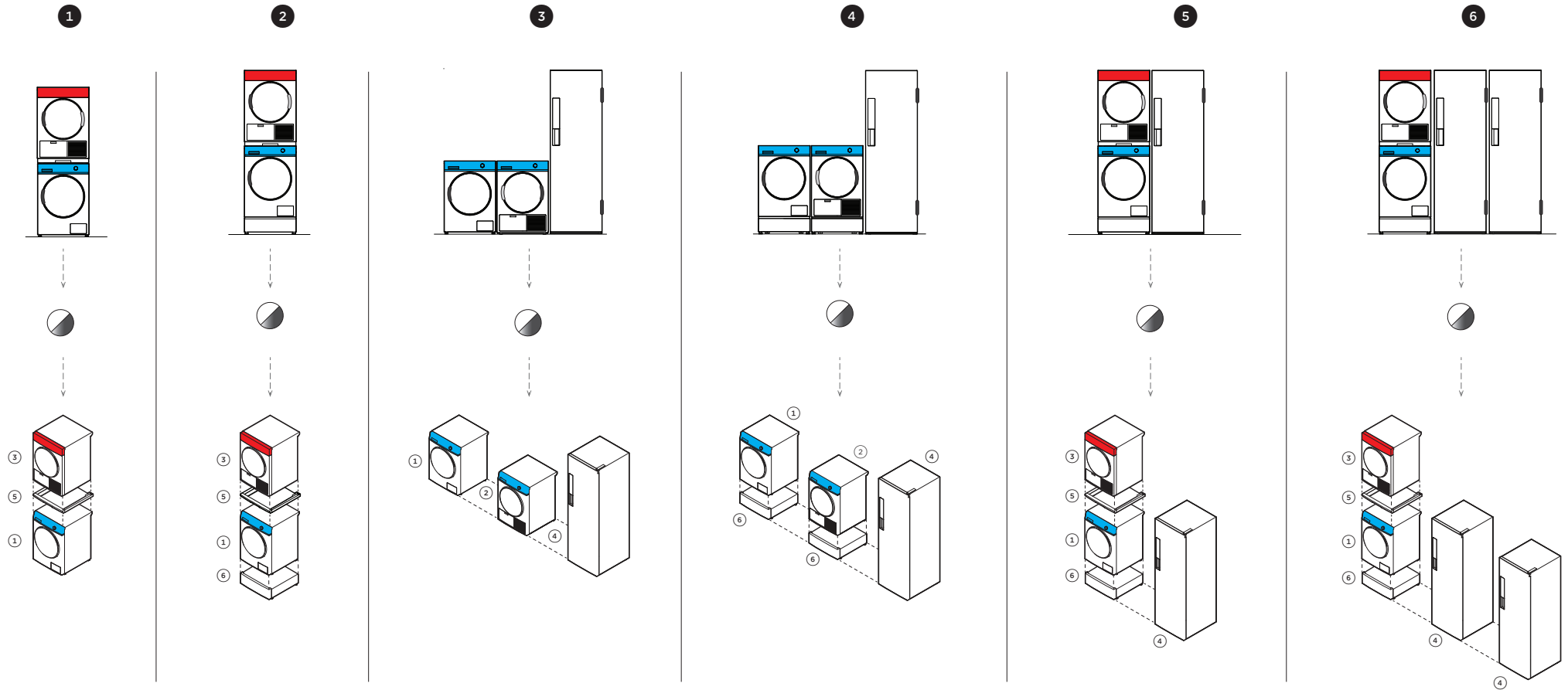
❸ **DH9060HLG1 (Graphite), DH9060H1 (White)**  
Display-free  
Heat Pump Dryer, 9kg, Steam Care, Reversible Door

❹ **FC1260HG1 (Graphite), FC1260H1 (White)**  
Fabric Care Cabinet

❺ **CA99373 (Graphite), CA428159 (White)**  
Stacking kit

❻ **FM2060SG1 (Graphite), FM2060S1 (White)**  
Storage plinth

---



MODELS	HINGE	GRAPHITE	WHITE
④ Front Load Washing Machine	○ Left Hinge	WH1160HG1	WH1160H1
⑤ Heat Pump Dryer - With Display	● Left/Right Hinge	DH9060HG1	DH9060H1
⑥ Heat Pump Dryer - Display-free	● Left/Right Hinge	DH9060HLG1	DH9060HL1
④ Fabric Care Cabinet	● Right Hinge	FC1260HG1	FC1260H1
⑤ Stacking Kit		CA99373	CA428159
⑥ Storage Plinth		FM2060SG1	FM2060S1

## SPECIFICATION GUIDE



### OVERVIEW

Care for every corner of the wardrobe with an ecosystem of fabric care products that combine diverse functions to deliver exceptional results. From precision sensing to autonomous technologies, the fabric care suite removes the guesswork, delivering the perfect balance across each product to ensure optimal care for every garment.

### FEATURES

- ① With multiple configurations from compact to large, this modular fabric care solution is designed to work for every space of the evolving home.
- ② From delicates to durables, and everyday to occasional, there is a specialist cycle that ensures optimal care for every type of garment.
- ③ Featuring a range of specialised environments and cycles, designed to lengthen the life of a garment and care for them with minimal environmental impact.
- ④ Timeless in design, the fabric care suite is engineered with premium materials and precise manufacturing, enabling long-lasting care for both product and garment.



### PRODUCTS

#### **FC1260HG1 (Graphite), FC1260H1 (White)**

Fabric Care Cabinet

#### **WH1160HG1 (Graphite), WH1160H1 (White)**

Front Loader Washing Machine, 11kg, ActiveIntelligence™, Steam Care

**DH9060HG1 (Graphite), DH9060H1 (White)** with display, Heat Pump Dryer, 9kg, Steam Care, Reversible Door

**DH9060HLG1 (Graphite), DH9060HL1 (White)** Display-free, Heat Pump Dryer, 9kg, Steam Care, Reversible Door

### ACCESSORIES

#### **FM2060SG1 (Graphite), FM2060S1 (White)**

Storage Plinth

#### **CA99373(Graphite), CA428159 (White)**

Stacking kit



**OVERVIEW**

Enjoy ready-to-wear convenience with the luxury Fabric Care Cabinet, designed to bring tailored care to all corners of the modern wardrobe. Its unique features include gentle refreshing, deodorising, sanitising and drying, making it suitable for delicate fabrics like silk, wool and leather.

**PRODUCTS**

**FC1260HG1 (Graphite)**

**FC1260H1 (White)**

Fabric Care Cabinet

**ACCESSORIES**

Shoe Rack (included)

Five hangers (included)



**FEATURES**

- ① Designed to help change laundry habits with four core functions for refreshing, drying, deodorising or sanitising special items
- ② Pair with our Front Loader Washing Machine and Heat Pump Dryer, for a cohesive fabric care ecosystem
- ③ Choose from a sleek Graphite or classic White finish for a clean, considered laundry
- ④ Connected Home and Wi-Fi enabled. The cabinet connects with the Fisher & Paykel SmarthQ™ app for seamless control
- ⑤ Non-plumbed design makes it adaptable to various spaces within the home
- ⑥ Specialised care for structured garments, including leather, woollen coats, delicate fabrics and outerwear
- ⑦ Help extend the life of delicate silks, woollens, cottons and linens by reducing their frequency of washing
- ⑧ Spacious capacity with multiple loading configurations, and four adjustable folding racks
- ⑨ Dedicated shoe care cycle, coupled with a shoe rack, provides a convenient and hygienic way to care for footwear
- ⑩ Designed to minimise energy and water usage by reducing the reliance on traditional washing methods

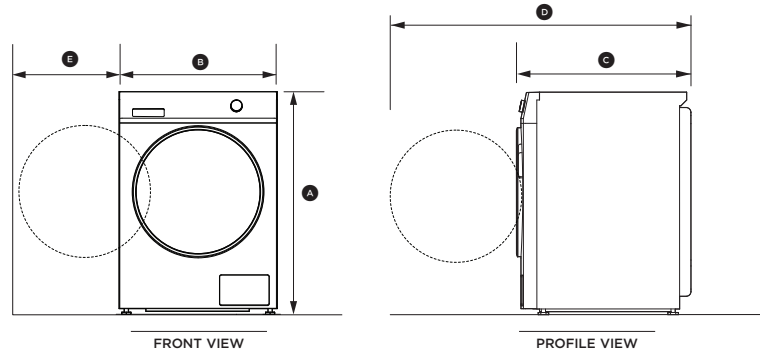
The models shown in this Specification Guide may not be available in all markets and are subject to change at any time. Product specifications may vary from those shown. This Specification Guide should not be used as installation guidance for any product. Further information is required to safely and correctly install the products featured here. Specific installation guidance will be available with the product on delivery and on our website [fisherpaykel.com](https://fisherpaykel.com)



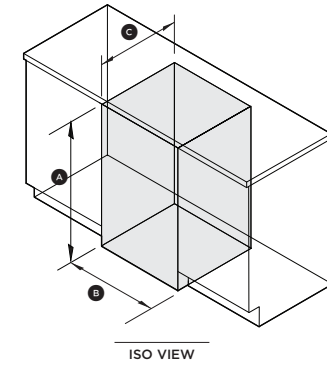
**SPECIFICATIONS**

<b>Model No.</b>	WH1160H1, WH1160HG1
<b>Dimensions</b>	H 850mm W 600mm D 665mm
<b>Weight</b>	82kg
<b>Electrical</b>	
Supply	220-240V, 50Hz
Service	10 Amps
Outlet	3-prong grounding-type
<b>Plumbing</b>	
Supply	Hose set provided
Pressure	Max. 1MPa (150psi); Min. 50KPa (7psi); Min 6 litres/min

**PRODUCT DIMENSIONS**



**CAVITY DIMENSIONS: STANDARD INSTALLATION**



	mm
<b>(A) Overall height</b>	850
Height of adjustable mounted feet	min -5 max +10
<b>(B) Overall width</b>	600
<b>(C) Overall depth*</b>	665
<b>(D) Depth with the door open</b>	1080
<b>(E) Door clearance to adjacent wall</b>	min 355

\*Includes dial and door when closed

	mm
<b>(A) Minimum height</b>	862
<b>(B) Minimum width</b>	624
<b>(C) Minimum overall cavity depth</b>	
• Flush with front panel of the product	665
• In cupboard	725
<b>Minimum gap clearance to adjacent product or cabinetry*</b>	12

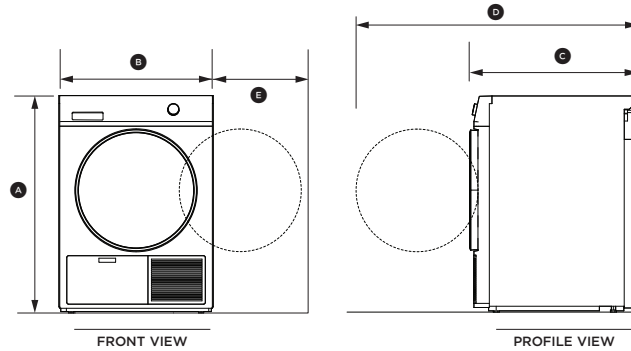
\*Applies to sides and top

The models shown in this Specification Guide may not be available in all markets and are subject to change at any time. Product specifications may vary from those shown. This Specification Guide should not be used as installation guidance for any product. Further information is required to safely and correctly install the products featured here. Specific installation guidance will be available with the product on delivery and on our website [fisherpaykel.com](http://fisherpaykel.com)

**SPECIFICATIONS**

<b>Model No.</b>	DH9060H1, DH9060HG1
<b>Dimensions</b>	H 850mm W 600mm D 655mm
<b>Weight</b>	53kg
<b>Electrical</b>	
Supply	220 - 240V, 50Hz
Service	10 Amps
Outlet	3-prong grounding-type
<b>Plumbing</b>	
Supply	Hose set provided
Pressure	Max. 1MPa (150psi); Min. 50KPa (7psi); Min 6 litres/min

**PRODUCT DIMENSIONS**

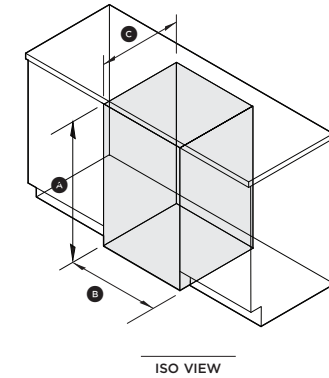


	mm
<b>(A) Overall height</b>	850
Height of adjustable mounted feet	min -5 max +5
<b>(B) Overall width</b>	600
<b>(C) Overall depth*</b>	655
<b>(D) Depth with the door open**</b>	1080
<b>(E) Door clearance to adjacent wall**</b>	min 344

\* Includes dial and door when closed

\*\*Left hinge and right hinge capable

**CAVITY DIMENSIONS: STANDARD INSTALLATION**



	mm
<b>(A) Minimum height</b>	862
<b>(B) Overall width</b>	624
<b>(C) Overall cavity depth</b>	
• Flush with front panel of the product	650
• In cupboard	715
<b>Minimum gap clearance to adjacent product or cabinetry*</b>	12

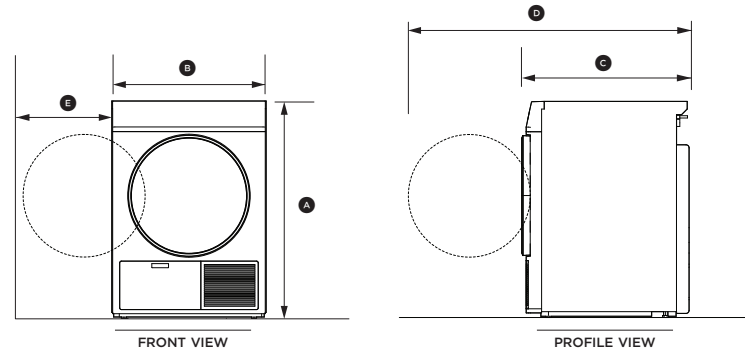
\* Applies to sides and top

The models shown in this Specification Guide may not be available in all markets and are subject to change at any time. Product specifications may vary from those shown. This Specification Guide should not be used as installation guidance for any product. Further information is required to safely and correctly install the products featured here. Specific installation guidance will be available with the product on delivery and on our website fisherpaykel.com

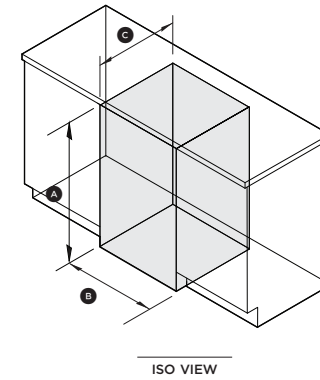
**SPECIFICATIONS**

<b>Model No.</b>	DH9060HL1, DH9060HLG1
<b>Dimensions</b>	H 850mm W 600mm D 655mm
<b>Weight</b>	53kg
<b>Electrical</b>	
Supply	220-240V, 50Hz
Service	10 Amps
Outlet	3-prong grounding-type
<b>Plumbing</b>	
Supply	Hose set provided
Pressure	Max. 1MPa (150psi); Min. 50KPa (7psi); Min 6 litres/min

**PRODUCT DIMENSIONS**



**CAVITY DIMENSIONS: STANDARD INSTALLATION**



	mm
<b>(A) Overall height</b>	850
Height of adjustable mounted feet	min -5 max +5
<b>(B) Overall width</b>	600
<b>(C) Overall depth*</b>	655
<b>(D) Depth with the door open**</b>	1080
<b>(E) Door clearance to adjacent wall**</b>	min 344

\* Includes door when closed  
 \*\*Left hinge and right hinge capable

	mm
<b>(A) Minimum height</b>	862
<b>(B) Overall width</b>	624
<b>(C) Overall cavity depth</b>	
• Flush with front panel of the product	650
• In cupboard	715
<b>Minimum gap clearance to adjacent product or cabinetry*</b>	12

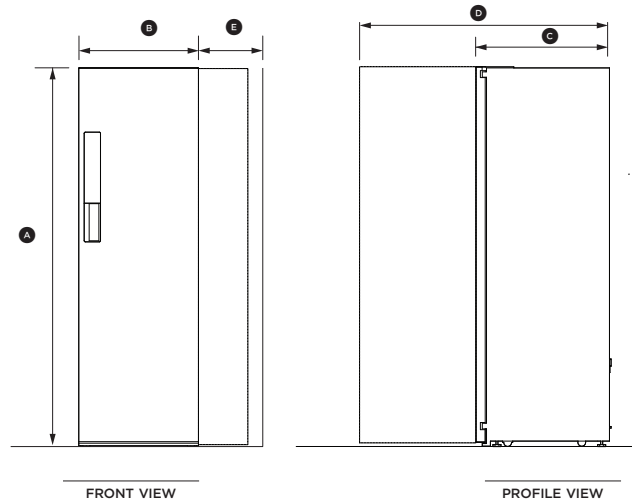
\* Applies to sides and top

The models shown in this Specification Guide may not be available in all markets and are subject to change at any time. Product specifications may vary from those shown. This Specification Guide should not be used as installation guidance for any product. Further information is required to safely and correctly install the products featured here. Specific installation guidance will be available with the product on delivery and on our website fisherpaykel.com

**SPECIFICATIONS**

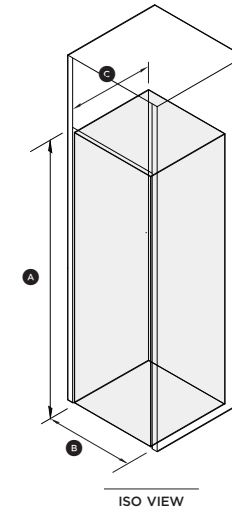
<b>Model No.</b>	FC1260HG1, FC1260H1
<b>Dimensions</b>	H 1900mm W 600mm D 700mm
<b>Weight</b>	130kg
<b>Electrical</b>	
Supply	220 - 240V, 50Hz
Service	10 Amps
Outlet	3-prong grounding-type

**PRODUCT DIMENSIONS**



	mm
<b>(A) Overall height</b>	1900
Height of adjustable mounted feet	min -5 max +5
<b>(B) Overall width</b>	600
<b>(C) Overall depth</b>	700
<b>(D) Depth with the door open</b>	1285
<b>(E) Door clearance to adjacent wall</b>	min 235

**CAVITY DIMENSIONS: STANDARD INSTALLATION**

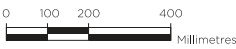
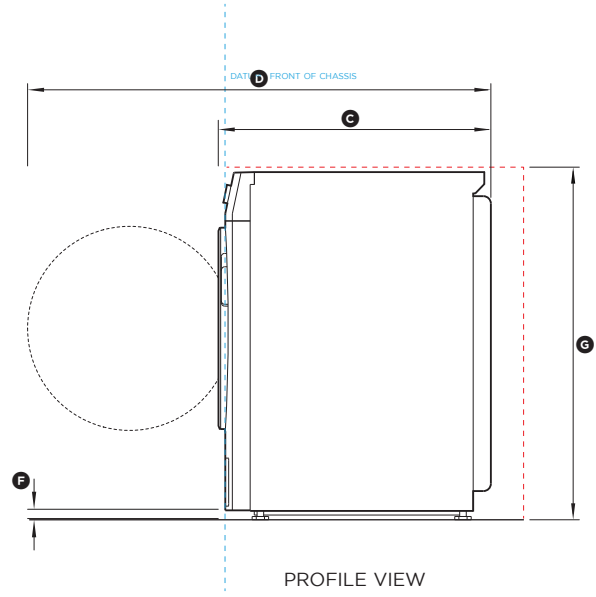
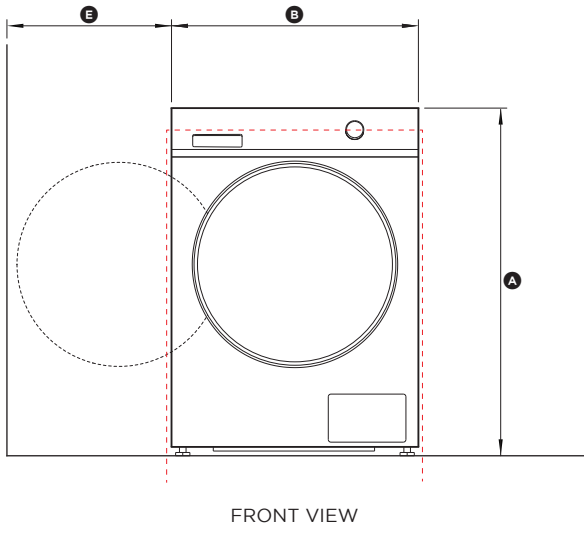
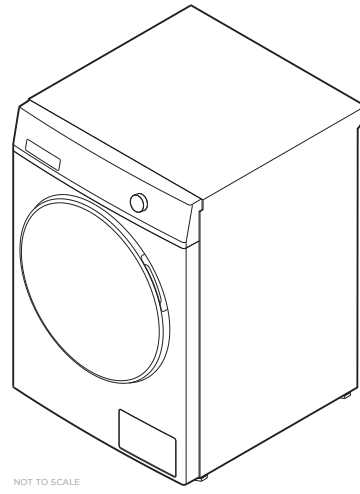
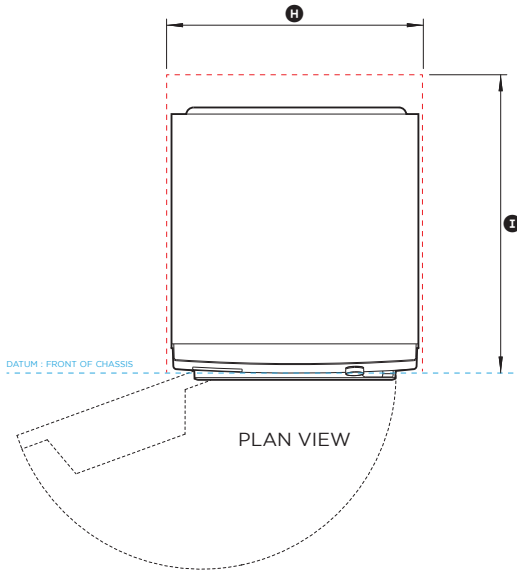


	mm
<b>(A) Minimum height</b>	1920
<b>(B) Overall width</b>	640
<b>(C) Overall cavity depth</b>	700
<b>Minimum gap clearance to adjacent product or cabinetry*</b>	20

\* Applies to sides and top

The models shown in this Specification Guide may not be available in all markets and are subject to change at any time. Product specifications may vary from those shown. This Specification Guide should not be used as installation guidance for any product. Further information is required to safely and correctly install the products featured here. Specific installation guidance will be available with the product on delivery and on our website fisherpaykel.com

## DATA SHEETS



**Model no:**

Front Loader Washing Machine, White - WH1160H1  
 Front Loader Washing Machine, Graphite - WH1160HG1

**Product Dimensions**

	mm
Ⓐ Overall height*	850
Ⓑ Overall width	600
Ⓒ Overall depth**	665
Ⓓ Depth with the door open	1080
Ⓔ Door clearance to adjacent wall	min 355
Ⓕ Height of adjustable mounted feet	min -5 max 10

\* Includes adjustable mounted feet and the range of movement  
 \*\* Includes dial and door when closed

**Cavity Dimensions: Standard Installation**

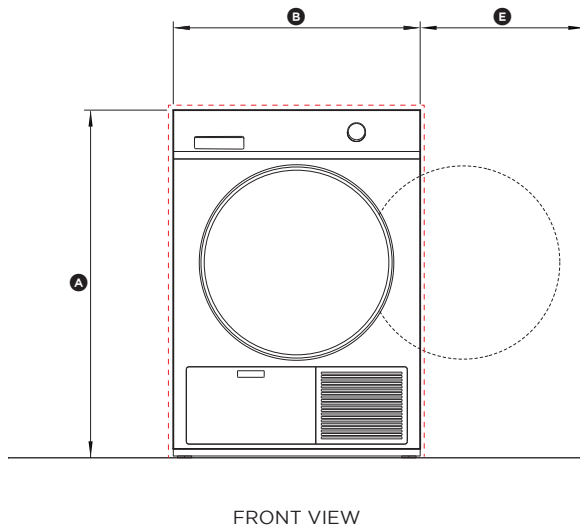
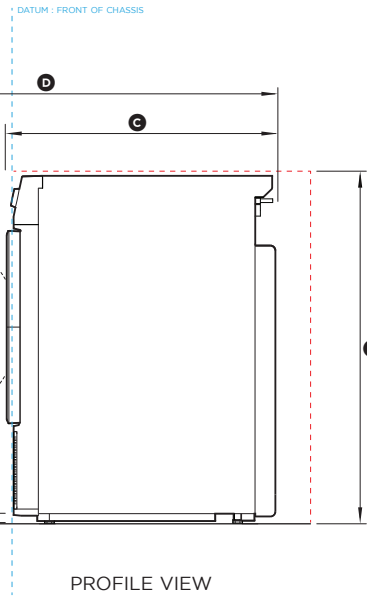
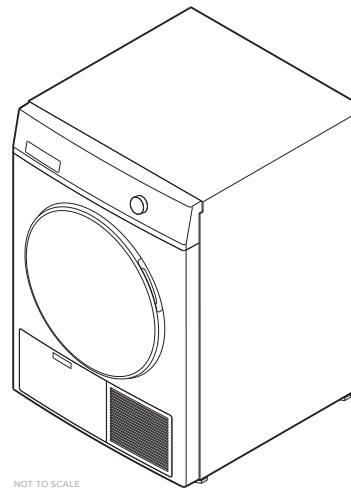
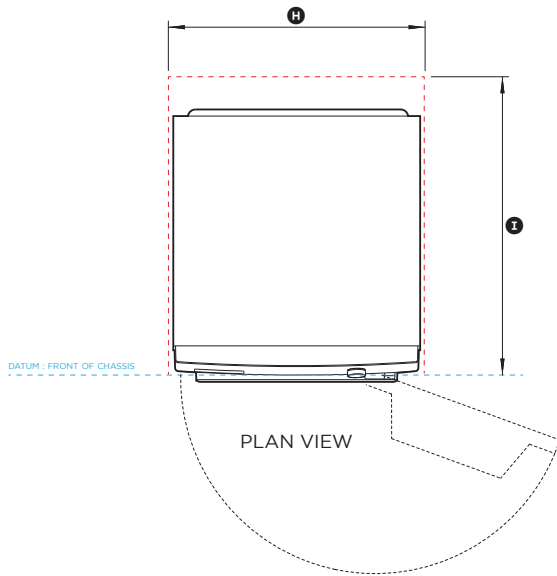
	mm
Ⓒ Overall height of cavity*	862
Ⓓ Minimum width	624
Ⓔ Minimum overall cavity depth	665
• Flush with front panel of the product	
Minimum gap clearance to adjacent product or cabinetry**	12

\* Depends on feet adjustment  
 \*\* Applies to sides and top

IMPORTANT NOTE: For installation instructions please refer to our installation manual.

INDICATES CABINETRY / PRODUCT DATUM -----  
 INDICATES CABINETRY CLEARANCES - - - - -

IMPORTANT NOTE: Throughout this guide, dimensions may vary by ±2mm (1/16"). Please read the installation manual for detailed information on installing the product. For full installation instructions & specifications visit [fisherpaykel.com](http://fisherpaykel.com)



**Model no:**

Heat Pump Dryer, Display, White - DH9060H1  
Heat Pump Dryer, Display, Graphite - DH9060HG1

**Product Dimensions**

	mm
Ⓐ Overall height*	850
Ⓑ Overall width	600
Ⓒ Overall depth**	655
Ⓓ Depth with the door open	1080
Ⓔ Door clearance to adjacent wall***	min 344
Ⓕ Height of adjustable mounted feet	min -5 max 5

\* Includes adjustable mounted feet and the range of movement

\*\* Includes dial and door when closed

\*\*\*Left hinge and right hinge capable

**Cavity Dimensions: Standard Installation**

	mm
Ⓒ Overall height of cavity*	862
Ⓖ Minimum width	624
Ⓘ Minimum overall cavity depth	665
• Flush with front panel of the product	
Minimum gap clearance to adjacent product or cabinetry**	12

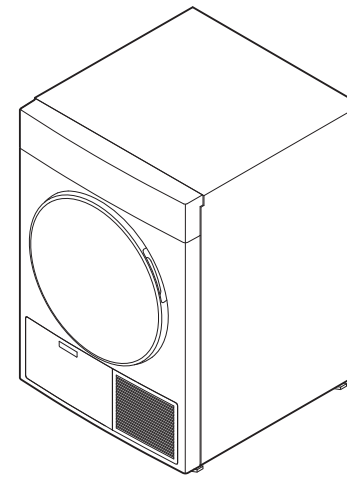
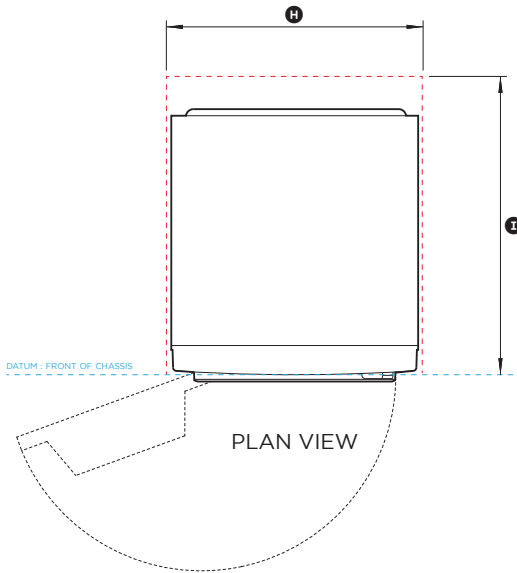
\* Depends on feet adjustment

\*\* Applies to sides and top

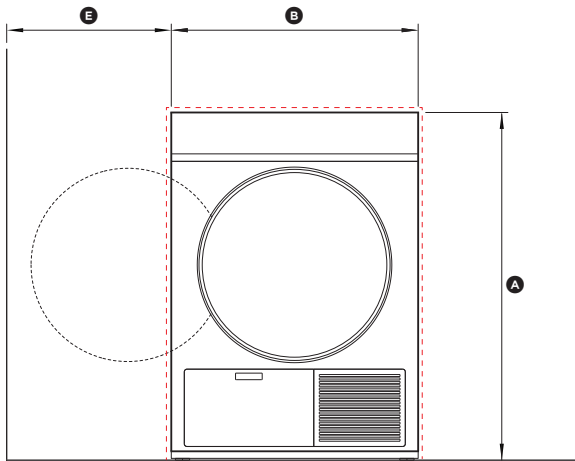
IMPORTANT NOTE: For installation instructions please refer to our installation manual.

INDICATES CABINETRY / PRODUCT DATUM -----  
INDICATES CABINETRY CLEARANCES - - - - -

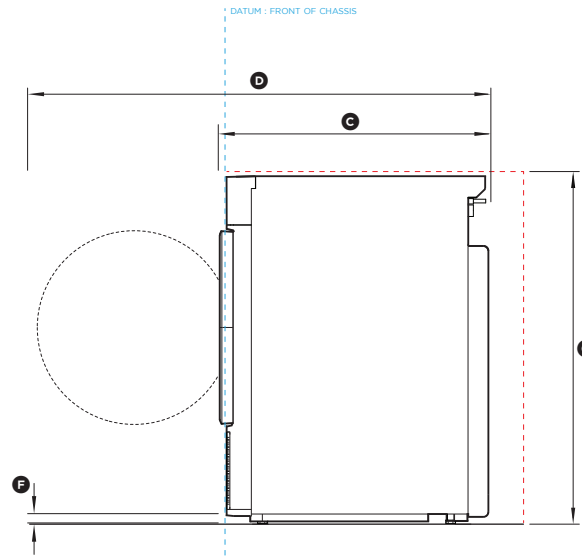
IMPORTANT NOTE: Throughout this guide, dimensions may vary by ±2mm (1/16"). Please read the installation manual for detailed information on installing the product. For full installation instructions & specifications visit [fisherpaykel.com](http://fisherpaykel.com)



NOT TO SCALE



FRONT VIEW



PROFILE VIEW



**Model no:**

Heat Pump Dryer, Display-free, White - DH9060HL1  
Heat Pump Dryer, Display-free, Graphite - DH9060HGL1

**Product Dimensions**

	mm
Ⓐ Overall height*	850
Ⓑ Overall width	600
Ⓒ Overall depth**	665
Ⓓ Depth with the door open	1080
Ⓔ Door clearance to adjacent wall***	min 344
Ⓕ Height of adjustable mounted feet	min -5 max 5

\* Includes adjustable mounted feet and the range of movement

\*\* Includes dial and door when closed

\*\*\*Left hinge and right hinge capable

**Cavity Dimensions: Standard Installation**

	mm
Ⓒ Overall height of cavity*	862
Ⓓ Minimum width	624
Ⓔ Minimum overall cavity depth	665
• Flush with front panel of the product	
Minimum gap clearance to adjacent product or cabinetry**	12

\* Depends on feet adjustment

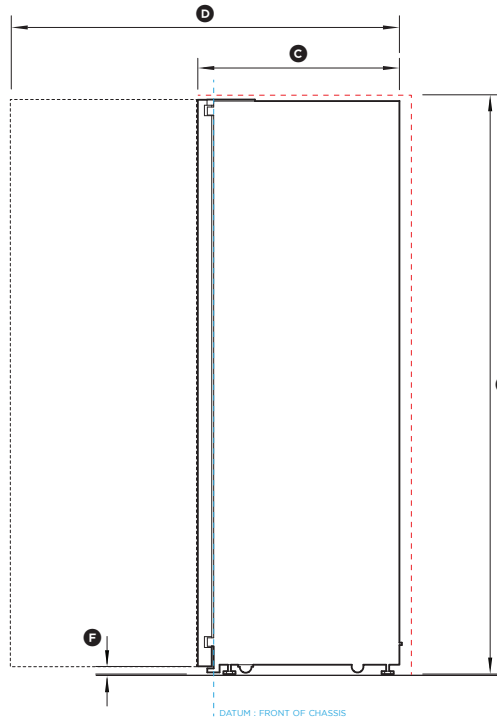
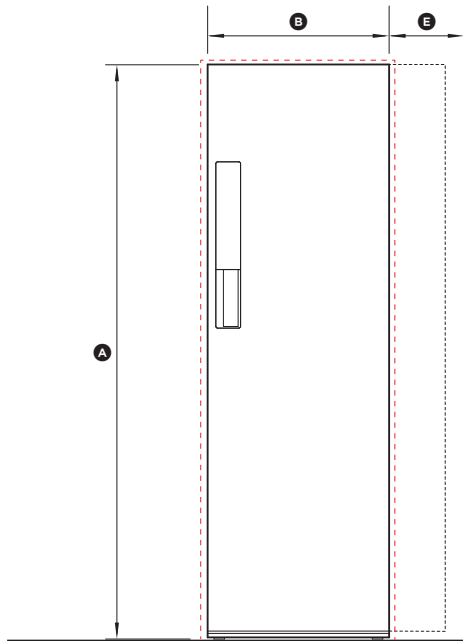
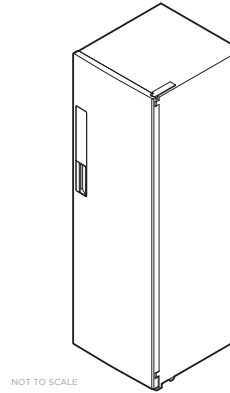
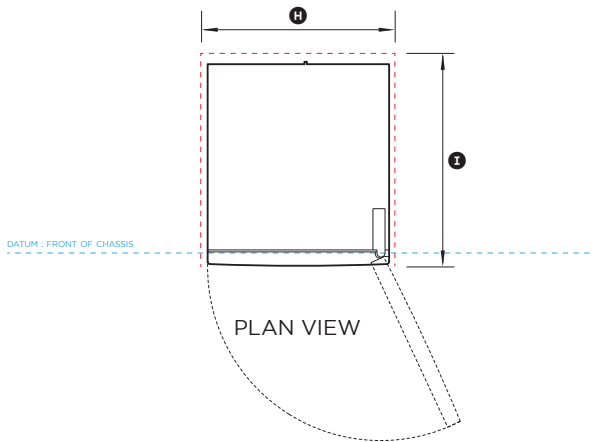
\*\* Applies to sides and top

IMPORTANT NOTE: For installation instructions please refer to our installation manual.

INDICATES CABINETRY / PRODUCT DATUM -----  
INDICATES CABINETRY CLEARANCES - - - - -

IMPORTANT NOTE: Throughout this guide, dimensions may vary by  $\pm 2\text{mm}$  (1/16"). Please read the installation manual for detailed information on installing the product. For full installation instructions & specifications visit [fisherpaykel.com](http://fisherpaykel.com)





FRONT VIEW

PROFILE VIEW

**Model no:**

Fabric Care Cabinet, White - FC1260H1  
Fabric Care Cabinet, Graphite - FC1260HG1

**Product Dimensions**

	<b>mm</b>
Ⓐ Overall height*	1900
Ⓑ Overall width	600
Ⓒ Overall depth	700
Ⓓ Depth with the door open	1285
Ⓔ Door clearance to adjacent wall	min 235
Ⓕ Height of adjustable mounted feet	min -5 max 5

\* Includes adjustable mounted feet and the range of movement

**Cavity Dimensions: Standard Installation**

	<b>mm</b>
Ⓒ Overall height of cavity*	1920
Ⓓ Minimum width	640
Ⓔ Minimum overall cavity depth	700
Minimum gap clearance to adjacent product or cabinetry**	20

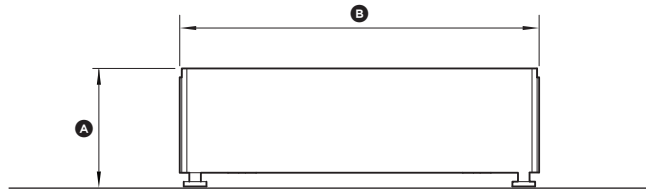
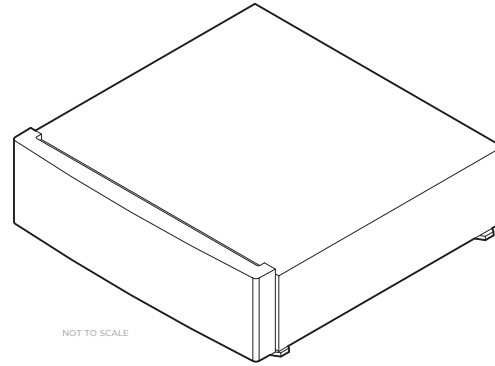
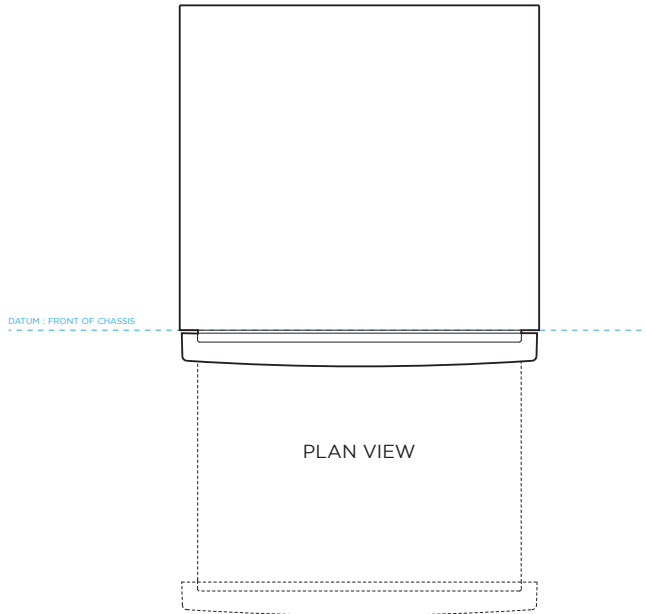
\* Depends on feet adjustment

\*\* Applies to sides and top

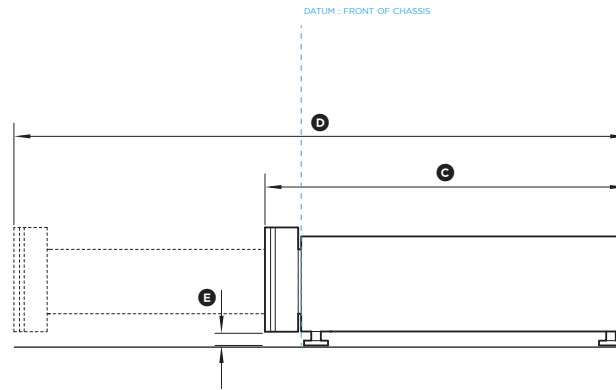
IMPORTANT NOTE: For installation instructions please refer to our installation manual.

INDICATES CABINETRY / PRODUCT DATUM -----  
INDICATES CABINETRY CLEARANCES - - - - -

IMPORTANT NOTE: Throughout this guide, dimensions may vary by  $\pm 2\text{mm}$  (1/16"). Please read the installation manual for detailed information on installing the product. For full installation instructions & specifications visit [fisherpaykel.com](http://fisherpaykel.com)



FRONT VIEW



PROFILE VIEW



**Model no:**

Storage Plinth, Graphite - FM2060SG1

Storage Plinth, White - FM2060S1

**Product Dimensions**

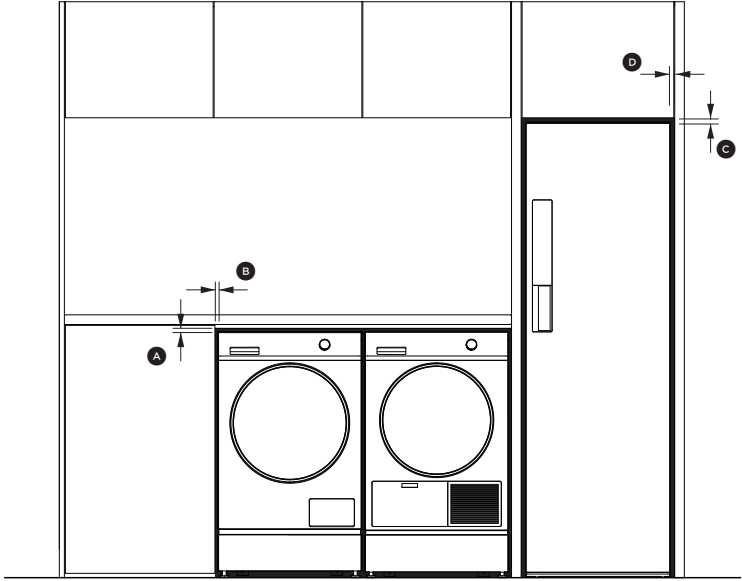
	mm
Ⓐ Overall height	200
Ⓑ Overall width	600
Ⓒ Overall depth	603
Ⓓ Depth with the drawer open	1040
Ⓔ Height of adjustable mounted feet	min -5 max 10

IMPORTANT NOTE: For installation instructions please refer to our installation manual.

INDICATES CABINETRY / PRODUCT DATUM -----  
INDICATES CABINETRY CLEARANCES - - - - -

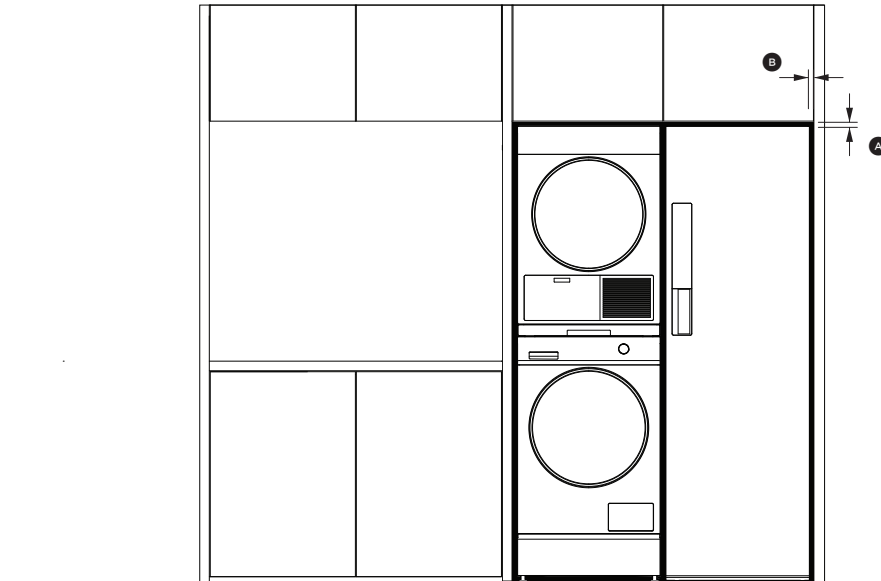
IMPORTANT NOTE: Throughout this guide, dimensions may vary by  $\pm 2\text{mm}$  (1/16"). Please read the installation manual for detailed information on installing the product. For full installation instructions & specifications visit [fisherpaykel.com](http://fisherpaykel.com)

## GAP CONSIDERATION



**GAP CONSIDERATIONS  
FABRIC CARE CABINET AND LAUNDRY IN SEPERATE CABINETS**

<b>A</b>	Horizontal gap Washing Machine and Heat Pump Dryer	12
<b>B</b>	Vertical gap Washing Machine and Heat Pump Dryer	12
<b>C</b>	Horizontal gap Fabric Care Cabinet	20
<b>D</b>	Vertical gap Fabric Care Cabinet	20



**GAP CONSIDERATIONS  
FABRIC CARE CABINET AND LAUNDRY IN JOINED CABINET**

<b>A</b>	Horizontal gap Washing Machine and Heat Pump Dryer and Fabric Care Cabinet	20
<b>B</b>	Vertical gap Washing Machine and Heat Pump Dryer and Fabric Care Cabinet	20

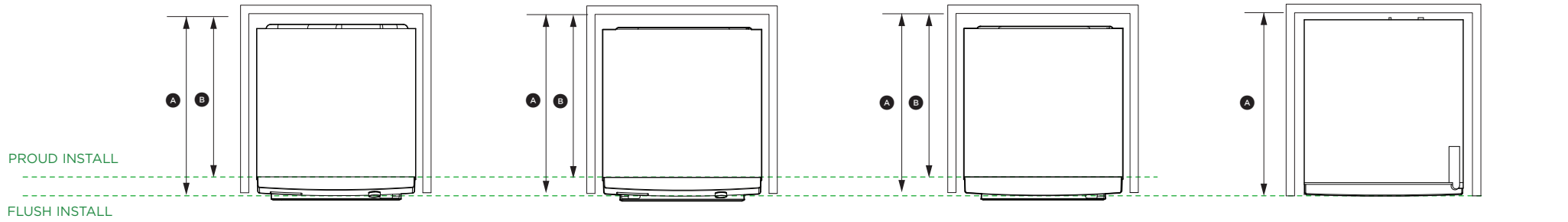
## FLUSH & PROUD INSTALLATION

**Front Load Washing Machine**  
WH1160H1, WH1160HG1

**Heat Pump Dryer - Display**  
DH9060H1, DH9060HG1

**Heat Pump Dryer - Display-free**  
DH9060HL1, DH9060HLG1

**Fabric Care Cabinet**  
FC1260HG1, FC1260H1\*



Installation Depth		mm
Ⓐ	Flush install cabinet depth	725
Ⓑ	Proud install cabinet depth	665

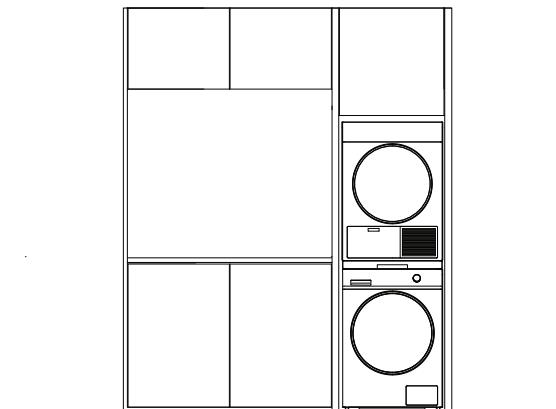
Installation Depth		mm
Ⓐ	Flush install cabinet depth	725
Ⓑ	Proud install cabinet depth	665

Installation Depth		mm
Ⓐ	Flush install cabinet depth	725
Ⓑ	Proud install cabinet depth	665

Installation Depth		mm
Ⓐ	Flush install cabinet depth	700

**\*IMPORTANT NOTE**  
This version of our Fabric Care Cabinet uses steam to treat the clothes, some of which will escape the product. It was designed to have a good ventilation around itself, as in a laundry space, so moisture will not build up. If installed within a wardrobe, ventilation (similar to the requirement for laundry spaces) must be ensured, mainly during operation.

## MULTIPLE INSTALLATION



**1 STACKED**

**WH1160HG1, WH1160H1**

Front Loader Washing Machine

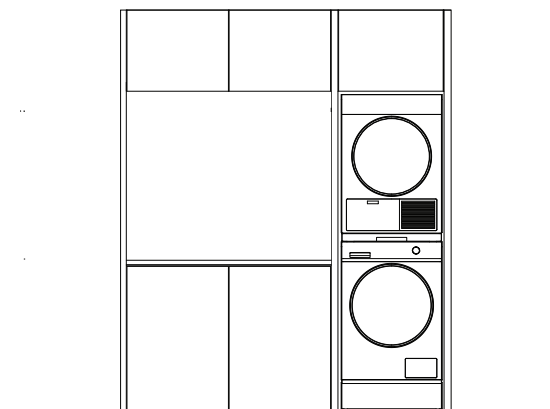
**DH9060HLG1, DH9060HL1 (Display-free\*)**

Heat Pump Dryer

**CA99373, CA428159**

Stacking Kit

\*Heat Pump controlled through Washer interface



**2 STACKED WITH PLINTH**

**WH1160HG1, WH1160H1**

Front Loader Washing Machine

**DH9060HLG1, DH9060HL1 (Display-free\*)**

Heat Pump Dryer

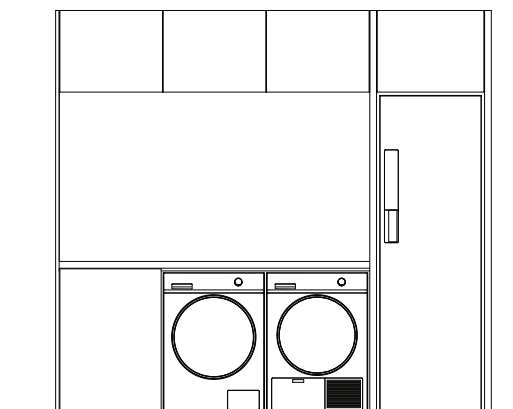
**FM2060SG1, FM2060S1**

Storage Plinth

**CA99373, CA428159**

Stacking Kit

\*Heat Pump controlled through Washer interface



**3 SIDE BY SIDE WITH FABRIC CARE CABINET**

**WH1160HG1, WH1160H1**

Front Loader Washing Machine

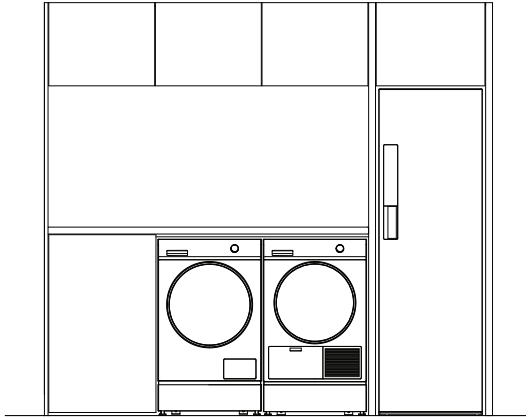
**DH9060HG1, DH9060H1 (Display)**

Heat Pump Dryer

**FC1260HG1, FC1260H1**

Fabric Care Cabinet





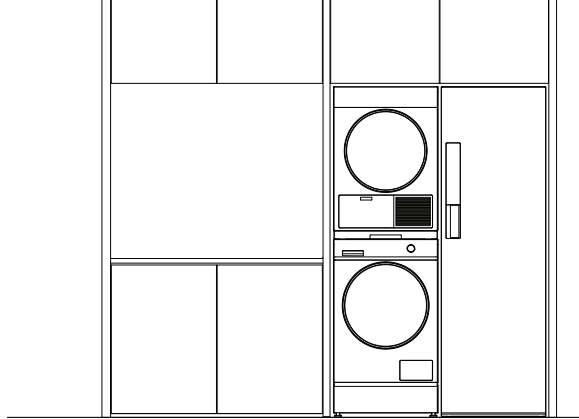
**4 SIDE BY SIDE WITH PLINTHS AND FABRIC CARE CABINET**

**WH1160HG1, WH1160H1**  
Front Loader Washing Machine

**DH9060HG1, DH9060H1** (Display)  
Heat Pump Dryer

**FC1260HG1, FC1260H1**  
Fabric Care Cabinet

**FM2060SG1, FM2060S1**  
Storage Plinth x 2



**5 STACKED WITH PLINTH AND FABRIC CARE CABINET**

**WH1160HG1, WH1160H1**  
Front Loader Washing Machine

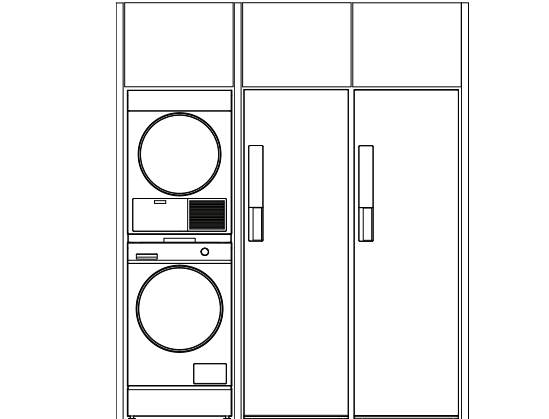
**DH9060HLG1, DH9060HL1** (Display-free\*)  
Heat Pump Dryer

**FC1260HG1, FC1260H1**  
Fabric Care Cabinet

**FM2060SG1, FM2060S1**  
Storage Plinth

**CA99373, CA428159**  
Stacking Kit

\*Heat Pump controlled through Washer interface



**6 STACKED WITH PLINTH AND 2X FABRIC CARE CABINET**

**WH1160HG1, WH1160H1**  
Front Loader Washing Machine

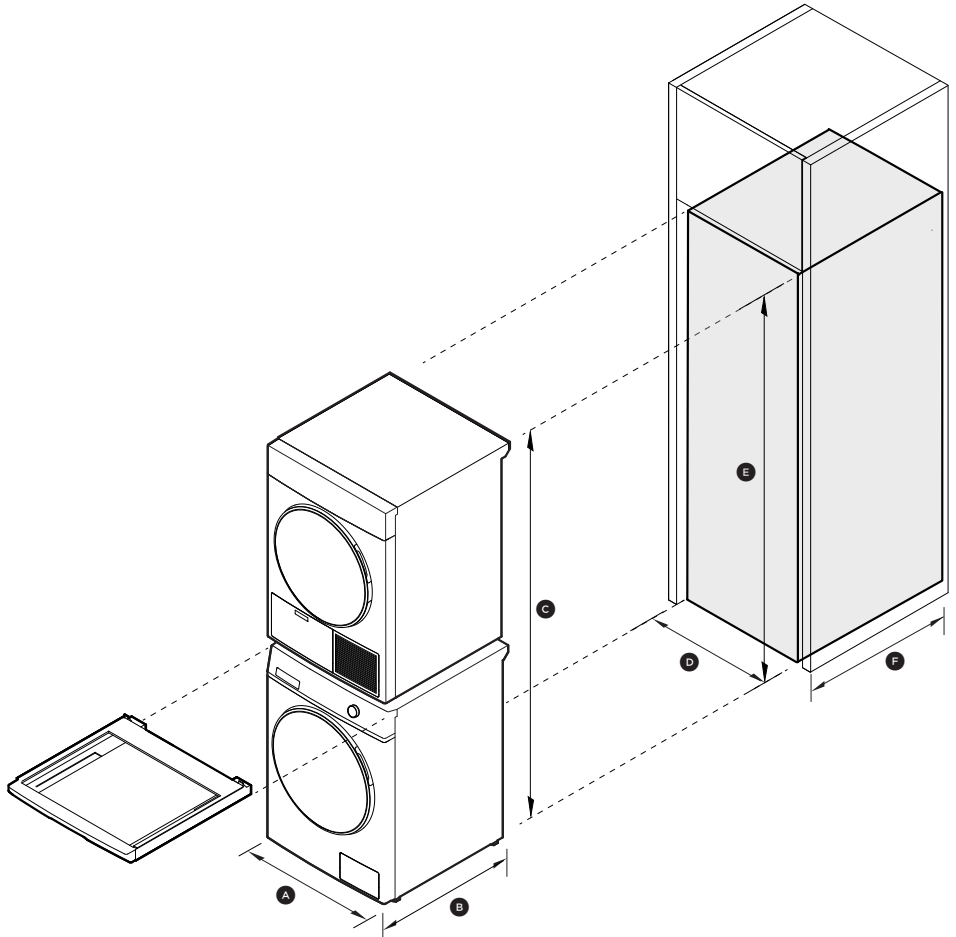
**DH9060HLG1, DH9060HL1** (Display-free\*)  
Heat Pump Dryer

**FC1260HG1, FC1260H1**  
Fabric Care Cabinet x 2

**FM2060SG1, FM2060S1**  
Storage Plinth

**CA99373, CA428159**  
Stacking Kit

\*Heat Pump controlled through Washer interface



**Cavity Dimensions for Flush Installation**

**Model nos:**

Front Loader Washing Machine - WH1160HG1/WH1160H1  
 Heat Pump Dryer - DH9060HG1/DH9060H1  
 Stacking Kit - CA99373/CA428159

**IMPORTANT!**

For ease of installation, ensure cavity has consistent dimensions top to bottom and left to right.

**Product Dimensions**

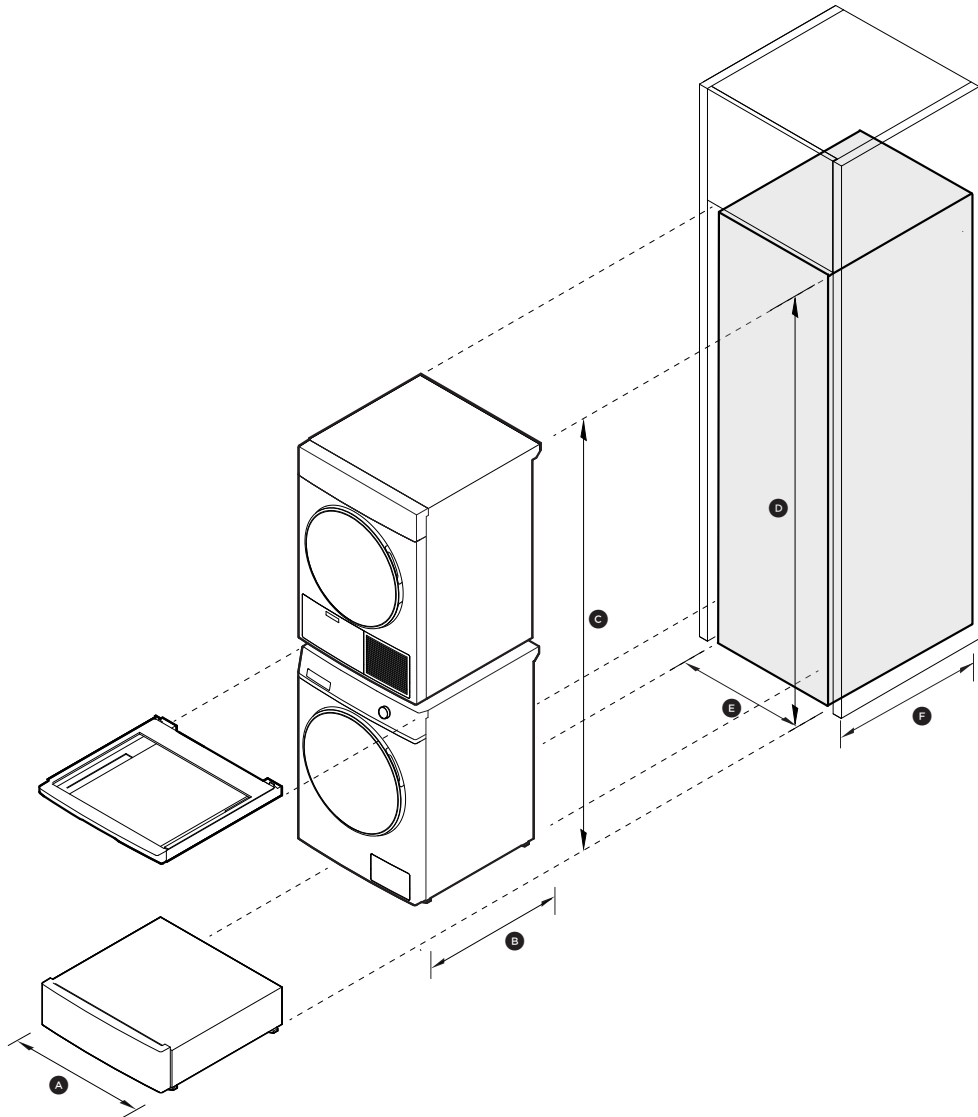
	<b>mm</b>
Ⓐ Overall width Washer, Dryer and Stacking Kit	600
Ⓑ Overall height Washer, Dryer and Stacking Kit	850
Ⓒ Overall depth Washer, Dryer and Stacking Kit	665

**Cavity Dimensions Washer + Dryer + Stacking Kit (Flush Installation)**

	<b>mm</b>
Ⓓ Overall width*	624
Ⓔ Overall height*	1742
Ⓕ Overall depth	665

\*Includes 12 mm surrounding gap

**IMPORTANT NOTE:** Throughout this guide, dimensions may vary by ±2mm (1/16"). Please read the installation manual for detailed information on installing the product. For full installation instructions & specifications visit [fisherpaykel.com](http://fisherpaykel.com)



**Cavity Dimensions for Flush Installation**

**Model nos:**

Front Loader Washing Machine - WH1160HG1/WH1160H1  
 Heat Pump Dryer - DH9060HG1/DH9060H1  
 Stacking Kit - CA99373/CA428159  
 Storage Plinth - FM2060SG1/FM2060S1

**IMPORTANT!**

For ease of installation, ensure cavity has consistent dimensions top to bottom and left to right.

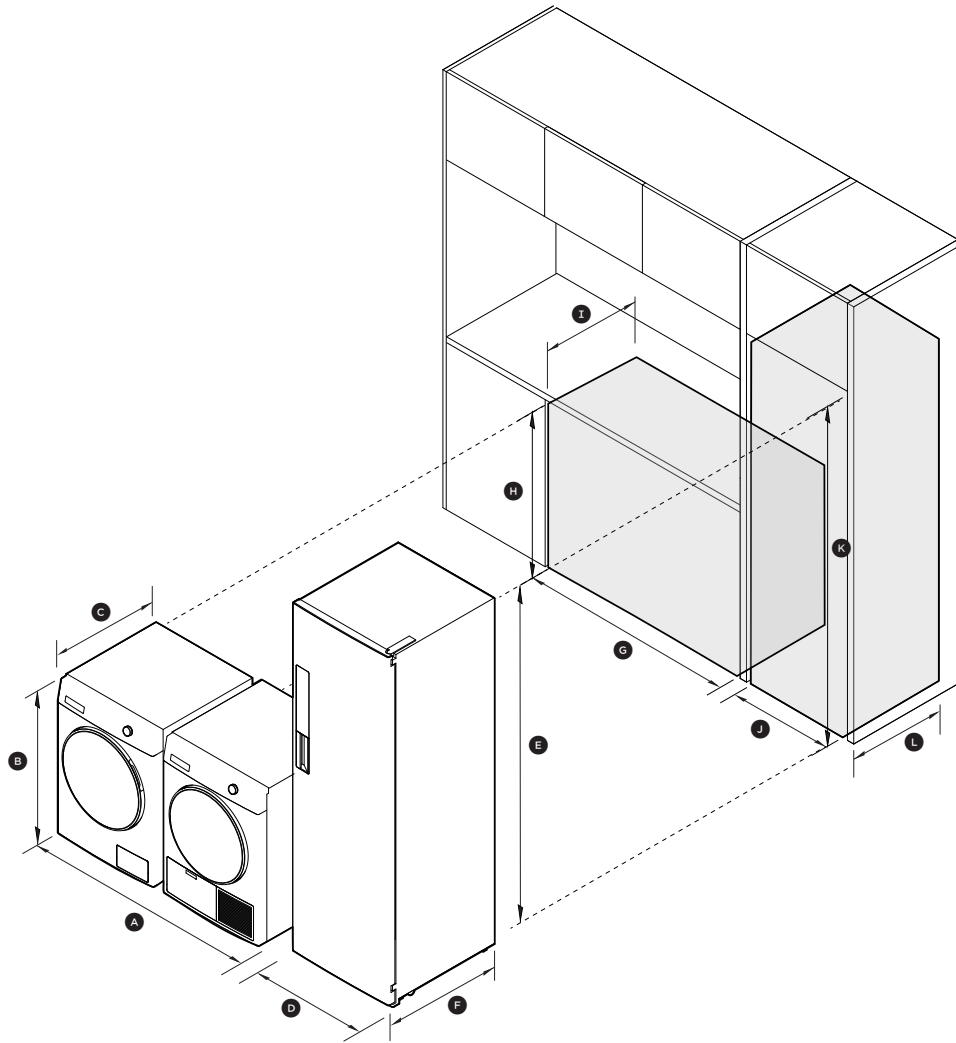
<b>Product Dimensions</b>		<b>mm</b>
A	Overall width Washer, Dryer, Plinth and Stacking Kit	600
B	Overall height Washer, Dryer, Plinth and Stacking Kit	1900
C	Overall depth Washer, Dryer, Plinth and Stacking Kit	665

**Cavity Dimensions Washer + Dryer + Storage Plinth + Stacking Kit (Flush Installation)**

G	Overall width*	624
H	Overall height*	1912
I	Overall depth	665

\*Includes 12 mm surrounding gap

**IMPORTANT NOTE:** Throughout this guide, dimensions may vary by ±2mm (1/16"). Please read the installation manual for detailed information on installing the product. For full installation instructions & specifications visit [fisherpaykel.com](http://fisherpaykel.com)



**Cavity Dimensions for Flush Installation**

**Model nos:**

Front Loader Washing Machine - WH1160HG1/WH1160H1  
 Heat Pump Dryer - DH9060HG1/DH9060H1  
 Fabric Care Cabinet - FC1260HG1/FC1260H1

**IMPORTANT!**

For ease of installation, ensure cavity has consistent dimensions top to bottom and left to right.

Product Dimensions	mm
(A) Overall width Washer and Dryer	1212
(B) Overall height Washer and Dryer	850
(C) Overall depth Washer and Dryer	665
(D) Overall width Fabric Care Cabinet	600
(E) Overall height Fabric Care Cabinet	1900
(F) Overall depth Fabric Care Cabinet	700

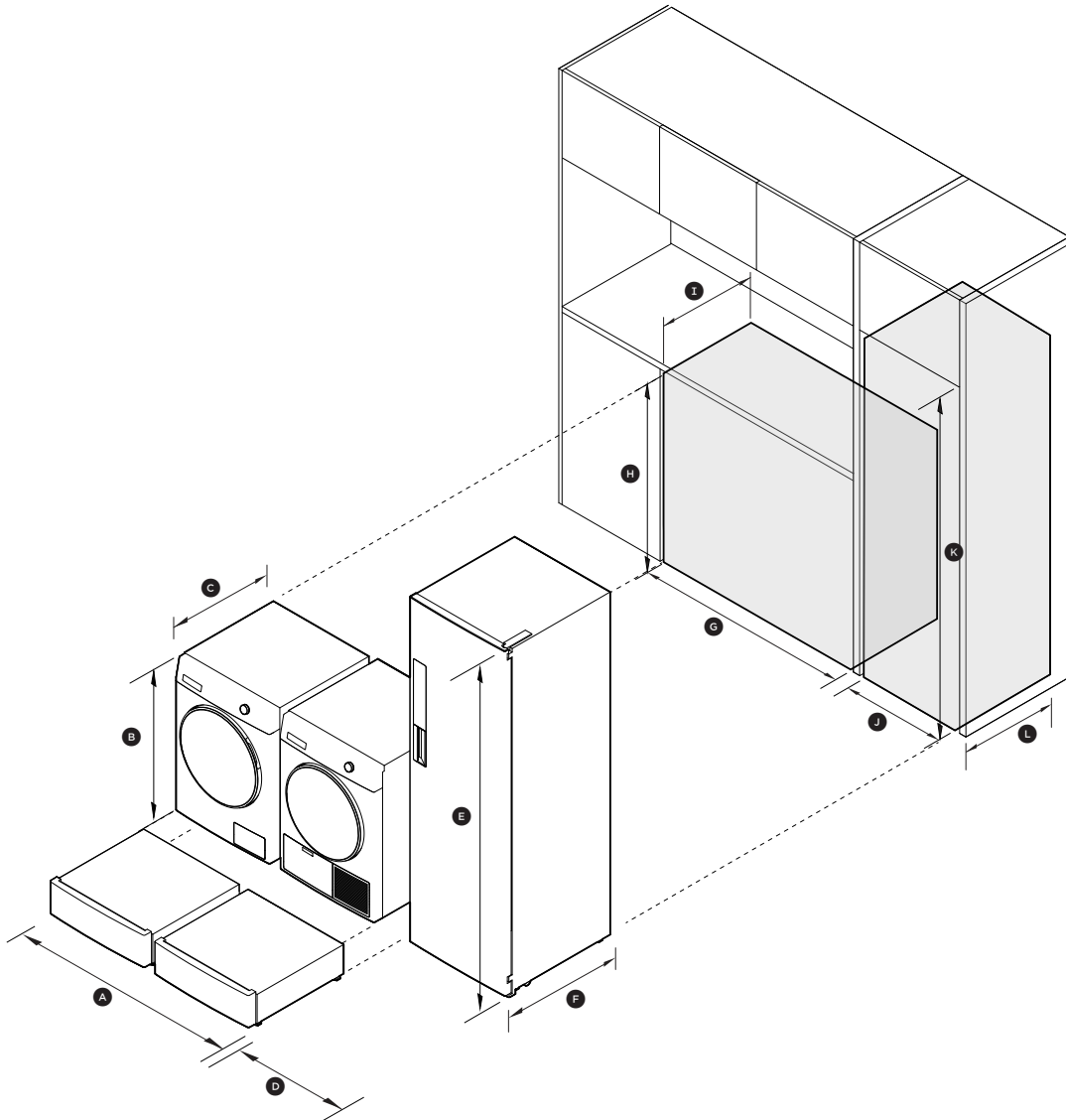
Cavity Dimensions Washer + Dryer (Flush Installation)	mm
(G) Overall width*	1236
(H) Overall height*	862
(I) Overall depth	665

\*Includes 12 mm surrounding gap

Cavity Dimensions Fabric Care Cabinet (Flush Installation)	mm
(J) Overall width*	640
(K) Overall height*	1920
(L) Overall depth	700

\*Includes 20 mm surrounding gap

**IMPORTANT NOTE:** Throughout this guide, dimensions may vary by ±2mm (1/16"). Please read the installation manual for detailed information on installing the product. For full installation instructions & specifications visit [fisherpaykel.com](http://fisherpaykel.com)



**Cavity Dimensions for Flush Installation**

**Model nos:**

Front Loader Washing Machine - WH1160HG1/WH1160H1  
 Heat Pump Dryer - DH9060HG1/DH9060H1  
 Fabric Care Cabinet - FC1260HG1/FC1260H1  
 Storage Plinth - FM2060SG1/FM2060S1

**IMPORTANT!**

For ease of installation, ensure cavity has consistent dimensions top to bottom and left to right.

<b>Product Dimensions</b>		<b>mm</b>
Ⓐ	Overall width Washer, Dryer and Storage Plinth	1212
Ⓑ	Overall height Washer, Dryer and Storage Plinth	1030
Ⓒ	Overall depth Washer, Dryer and Storage Plinth	665
Ⓓ	Overall width Fabric Care Cabinet	600
Ⓔ	Overall height Fabric Care Cabinet	1900
Ⓕ	Overall depth Fabric Care Cabinet	700

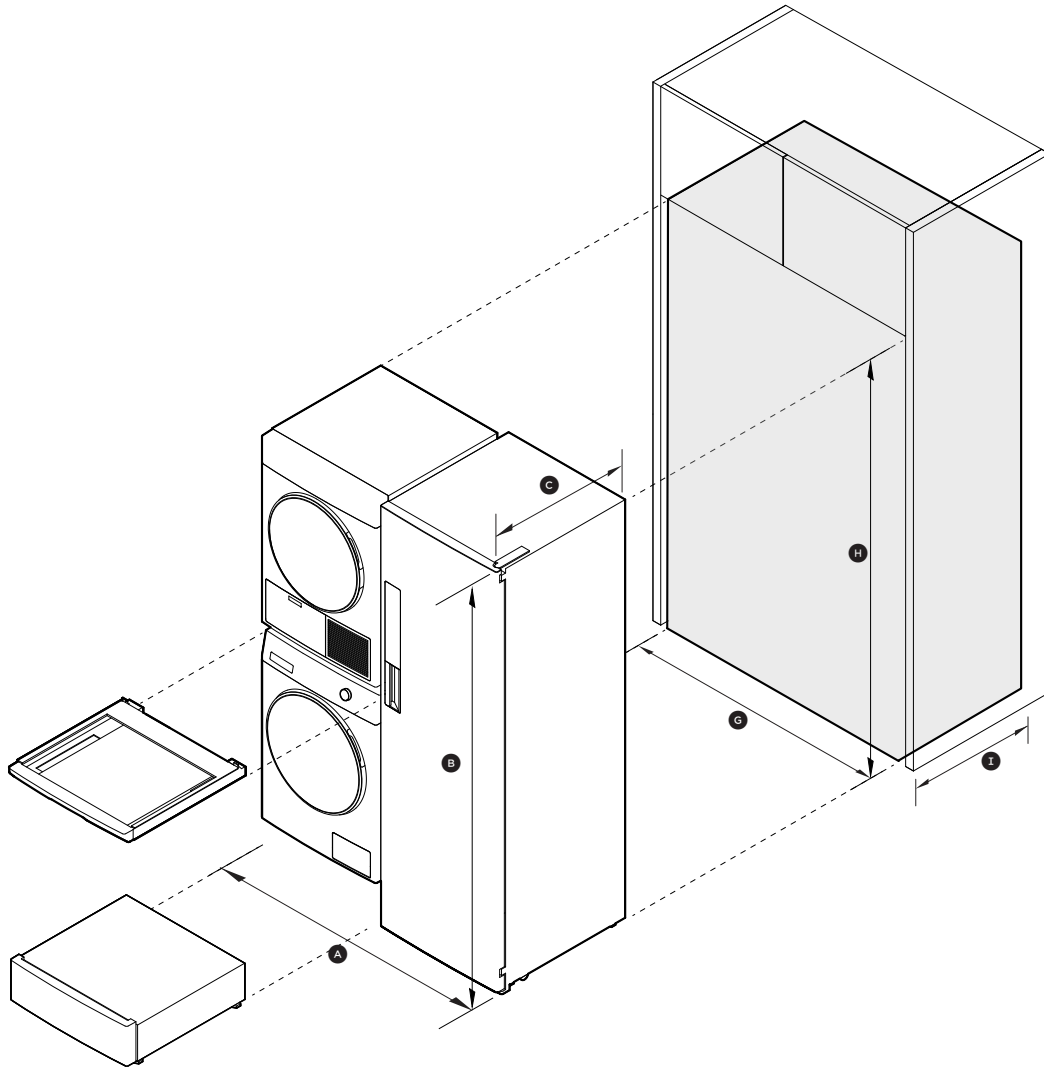
<b>Cavity Dimensions Washer + Dryer + Storage Plinth (Flush Installation)</b>		<b>mm</b>
Ⓖ	Overall width*	1236
Ⓗ	Overall height*	1042
Ⓙ	Overall depth	700

\*Includes 12 mm surrounding gap

<b>Cavity Dimensions Fabric Care Cabinet (Flush Installation)</b>		<b>mm</b>
Ⓚ	Overall width*	640
Ⓛ	Overall height*	1920
Ⓜ	Overall depth	700

\*Includes 20 mm surrounding gap

**IMPORTANT NOTE:** Throughout this guide, dimensions may vary by ±2mm (1/16"). Please read the installation manual for detailed information on installing the product. For full installation instructions & specifications visit [fisherpaykel.com](http://fisherpaykel.com)



**Cavity Dimensions for Flush Installation**

**Model nos:**

Front Loader Washing Machine - WH1160HG1/WH1160H1  
 Heat Pump Dryer - DH9060HG1/DH9060H1  
 Fabric Care Cabinet - FC1260HG1/FC1260H1  
 Stacking Kit - CA99373/CA428159  
 Storage Plinth - FM2060SG1/FM2060S1

**IMPORTANT!**

For ease of installation, ensure cavity has consistent dimensions top to bottom and left to right.

**Product Dimensions**

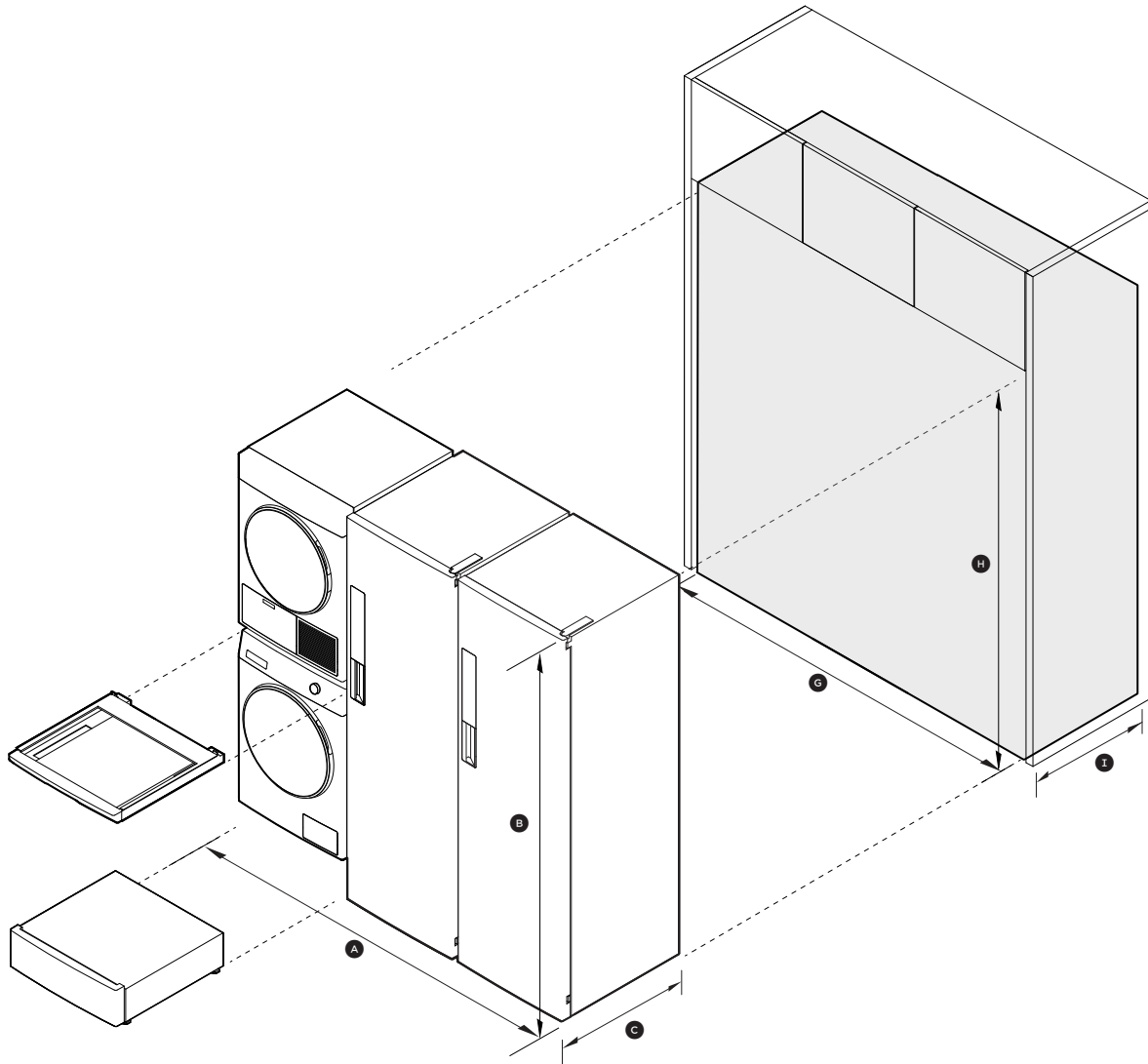
	<b>mm</b>
Ⓐ Overall width Washer, Dryer, Plinth, Stacking Kit and Fabric Care Cabinet	1220
Ⓑ Overall height Washer, Dryer, Plinth, Stacking Kit and Fabric Care Cabinet	1900
Ⓒ Overall depth Washer, Dryer, Plinth, Stacking Kit and Fabric Care Cabinet	700

**Cavity Dimensions Washer + Dryer + Plinth + Stacking Kit + Fabric Care Cabinet (Flush Installation)**

	<b>mm</b>
Ⓓ Overall width*	1260
Ⓗ Overall height*	1920
Ⓙ Overall depth	700

\*Includes 20mm surrounding gap

**IMPORTANT NOTE:** Throughout this guide, dimensions may vary by ±2mm (1/16"). Please read the installation manual for detailed information on installing the product. For full installation instructions & specifications visit [fisherpaykel.com](http://fisherpaykel.com)



**Cavity Dimensions for Flush Installation**

**Model nos:**

Front Loader Washing Machine - WH1160HG1/WH1160H1  
 Heat Pump Dryer - DH9060HG1/DH9060H1  
 2x Fabric Care Cabinets - FC1260HG1/FC1260H1  
 Stacking Kit - CA99373/CA428159  
 Storage Plinth - FM2060SG1/FM2060S1

**IMPORTANT!**

For ease of installation, ensure cavity has consistent dimensions top to bottom and left to right.

**Product Dimensions**

	<b>mm</b>
Ⓐ Overall width Washer, Dryer, Plinth, Stacking Kit and 2x Fabric Care Cabinets	1840
Ⓑ Overall height Washer, Dryer, Plinth, Stacking Kit and 2x Fabric Care Cabinets	1900
Ⓒ Overall depth Washer, Dryer, Plinth, Stacking Kit and Fabric Care Cabinet	700

**Cavity Dimensions Washer + Dryer + Plinth + Stacking Kit + 2x Fabric Care Cabinets (Flush Installation)**

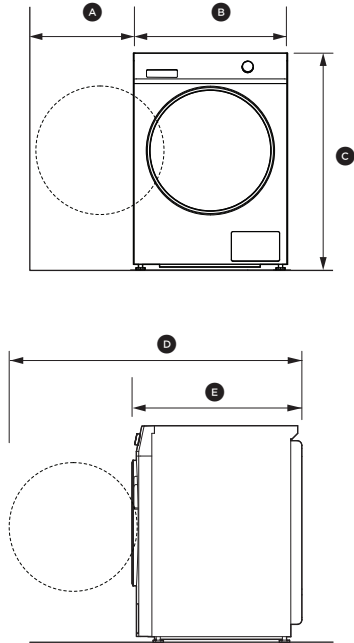
	<b>mm</b>
Ⓔ Overall width*	1880
Ⓕ Overall height*	1920
Ⓖ Overall depth	700

\*Includes 20mm surrounding gap

**IMPORTANT NOTE:** Throughout this guide, dimensions may vary by ±2mm (1/16"). Please read the installation manual for detailed information on installing the product. For full installation instructions & specifications visit [fisherpaykel.com](http://fisherpaykel.com)

## DOOR OPENING & DOOR SWING

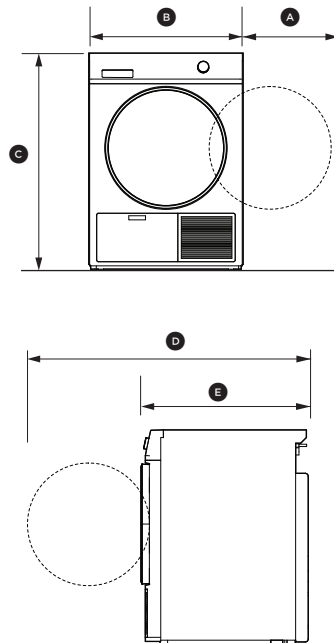




**Door opening clearance**

Front Loader Washing Machine  
WH1160H1, WH1160HG1

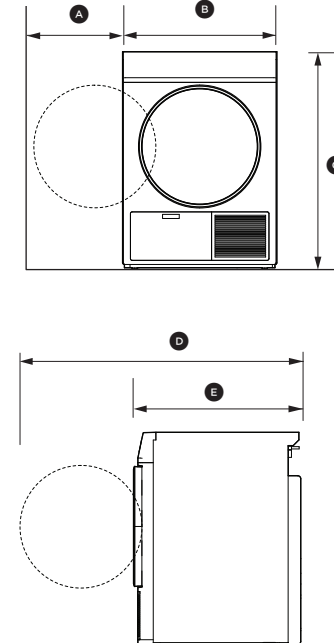
	mm
Ⓐ Overall width	600
Ⓑ Door clearance to adjacent wall	min. 355
Ⓒ Overall height	850
Ⓓ Depth with door open	1080
Ⓔ Overall depth	665



**Door opening clearance**

Heat Pump Dryer - Display  
DH9060H1, DH9060HG1

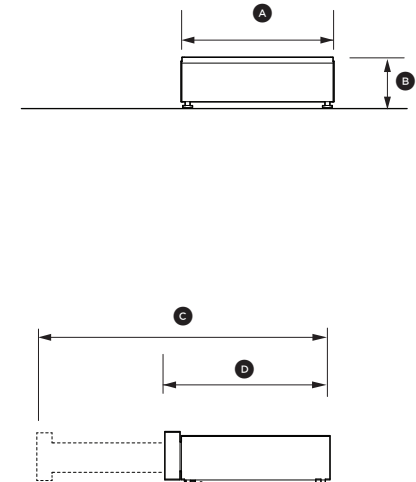
	mm
Ⓐ Overall width	600
Ⓑ Door clearance to adjacent wall	min. 344
Ⓒ Overall height	850
Ⓓ Depth with door open	1080
Ⓔ Overall depth	655



**Door opening clearance**

Heat Pump Dryer - Display-free  
DH9060HL1, DH9060HGL1

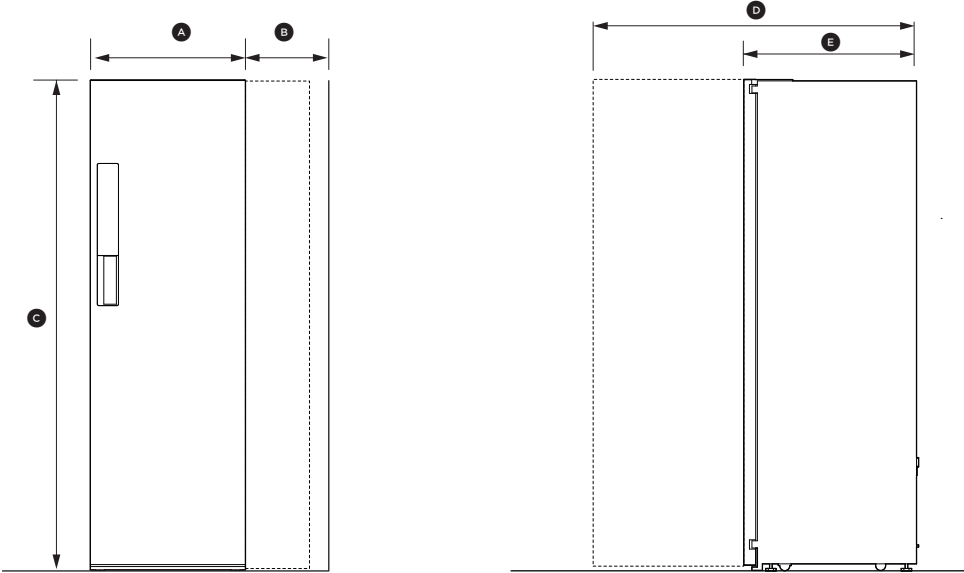
	mm
Ⓐ Overall width	600
Ⓑ Door clearance to adjacent wall	min. 344
Ⓒ Overall height	850
Ⓓ Depth with door open	1080
Ⓔ Overall depth	655



**Door opening clearance**

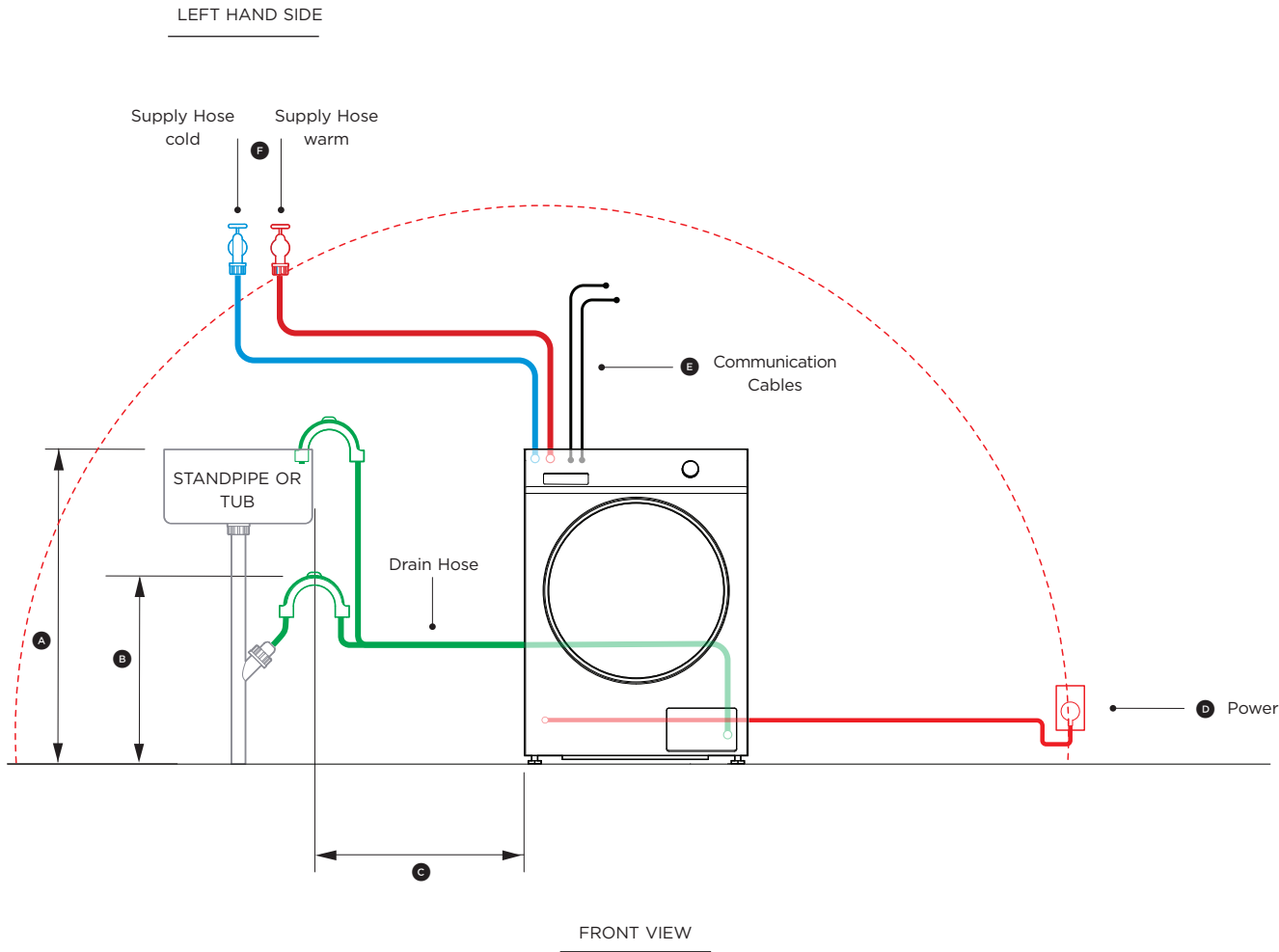
Storage Plinth  
FM2060S1, FM2060SG1

	mm
Ⓐ Overall width	600
Ⓑ Overall height	200
Ⓒ Depth with drawer open	1040
Ⓓ Overall depth	603



Door opening clearance		mm
Fabric Care Cabinet		
FC1260HG1, FC1260HI		
Ⓐ Fabric Care Cabinet width		600
Ⓑ Door clearance to adjacent wall		min 235
Door clearance to adjacent wall with doorpin		50
Ⓒ Fabric Care Cabinet height		1900
Ⓓ Depth with door open		1285
Ⓔ Fabric Care Cabinet depth		700

## SERVICES



**Maximum Distance of Hose and Cords**

**Model nos:**

Front Loader Washing Machine - WH1160HG1/WH1160H1

Product Dimensions	mm
(A) Maximum standpipe or tub height with Storage Plinth	1000 800
(B) Minimum standpipe or tub height with Storage Plinth	600 400
(C) Maximum distance to standpipe when located on the left	400
Maximum distance to standpipe when located on the right	1000
(D) Maximum power cord length from power outlet	1500
(E) Maximum length communication cable	2000
(F) Maximum length of cold and hot water inlet hose	1500

**Specifications**

**Electrical**

Supply	220 - 240 VAC, 50 Hz
Service	10 Amps
Outlet	3-prong grounding - type

**Plumbing**

Supply	Hose set provided
Pressure	Max. 1MPa (150psi) Min. 50KPa (7psi); Min 6 litres/min

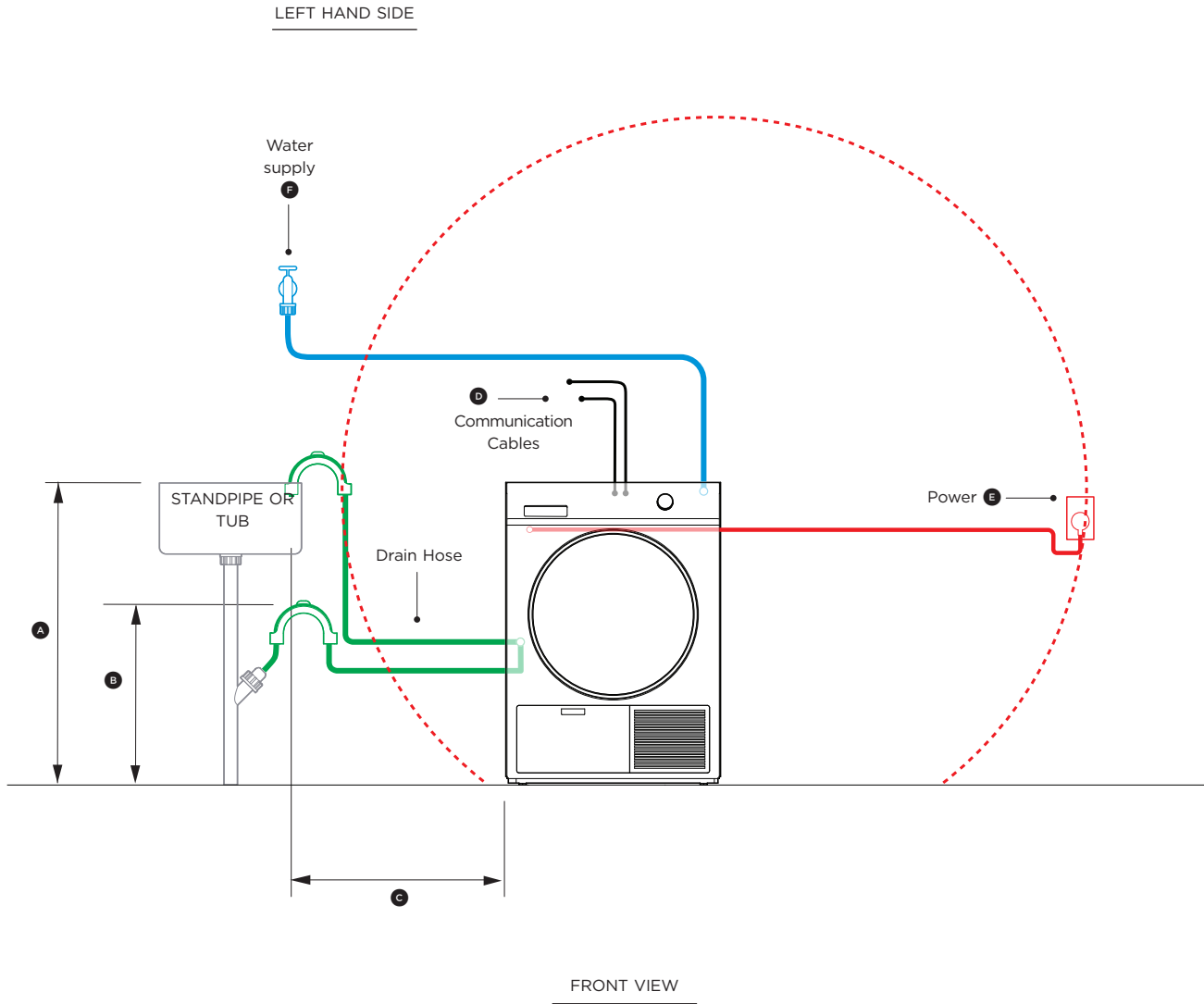
**NOTES:**

Connections may be located in an adjacent cabinet to either side of the washer

A washer and dryer without separate cold-water inlets shall be no more than 900mm apart.

Multiple product installation require to design the water outlets and power outlets according to local regulations.

**IMPORTANT NOTE:** Throughout this guide, dimensions may vary by  $\pm 2\text{mm}$  (1/16"). Please read the installation manual for detailed information on installing the product. For full installation instructions & specifications visit [fisherpaykel.com](http://fisherpaykel.com)



**Maximum Distance of Hose and Cords**

**Model nos:**

Heat Pump Dryer with Display - DH9060HG1, DH9060H1  
 Heat Pump Dryer Display-free - DH9060HLG1, DH9060HL1

Product Dimensions	mm
(A) Maximum standpipe or tub height with Storage Plinth	1000 800
(B) Minimum standpipe or tub height with Storage Plinth	600 400
(C) Maximum distance to standpipe when located on the left Maximum distance to standpipe when located on the right	400 1000
(D) Maximum power cord length from power outlet	1500
(E) Maximum length communication cable	
(F) Maximum length water supply	1300

**Specifications**

**Electrical**

Supply	220 - 240 VAC, 50 Hz
Service	10 Amps
Outlet	3-prong grounding-type

**Plumbing**

Supply	Hose set provided
Pressure	Max. 1MPa (150psi) Min. 50KPa (7psi); Min 6 litres/min

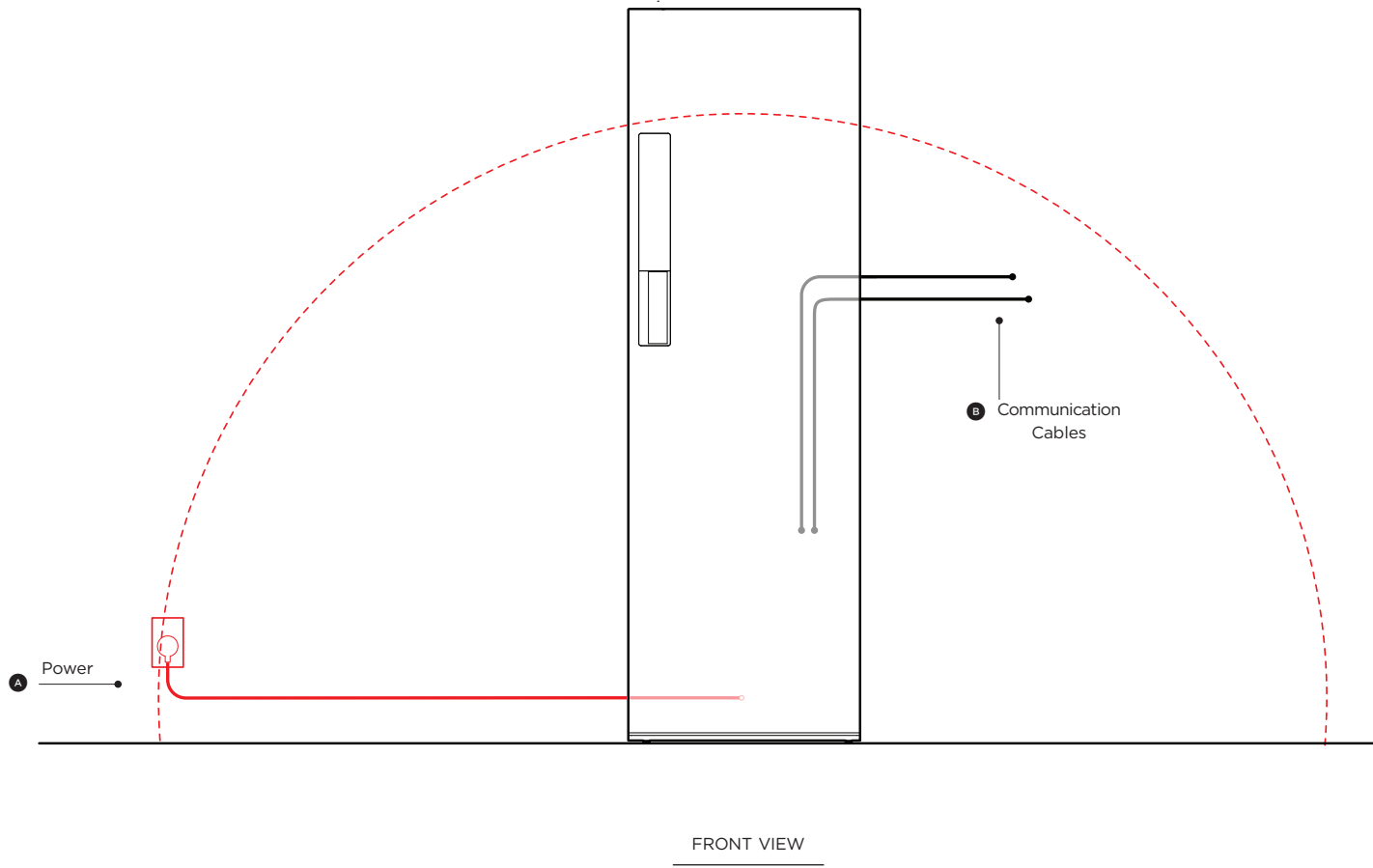
**NOTES:**

Connections may be located in an adjacent cabinet to either side of dryer

A washer and dryer without separate cold-water inlets shall be no more than 900mm apart.

Multiple product installation require to design the water outlets and power outlets according to local regulations.

**IMPORTANT NOTE:** Throughout this guide, dimensions may vary by  $\pm 2\text{mm}$  (1/16"). Please read the installation manual for detailed information on installing the product. For full installation instructions & specifications visit [fisherpaykel.com](http://fisherpaykel.com)



**Maximum Distance of Hose and Cords**

**Model nos:**

Fabric Care Cabinet - FC1260HG1, FC1260H1

**Product Dimensions**

	mm
(A) Maximum power cord length from power outlet	1500
(B) Maximum length communication cable	1500

**Specifications**

**Electrical**

Supply	220 - 240 VAC, 50 Hz
Service	10 Amps
Outlet	3-prong grounding-type

**NOTES:**

Connections may be located in an adjacent cabinet to either side of the cabinet

Multiple product installation require to design the power outlets according to local regulations.

**IMPORTANT NOTE:** Throughout this guide, dimensions may vary by  $\pm 2\text{mm}$  (1/16"). Please read the installation manual for detailed information on installing the product. For full installation instructions & specifications visit [fisherpaykel.com](http://fisherpaykel.com)

